

Design

Ball valves are designed and manufactured in the way ensuring their maximum service life and reliability. They meet the requirements of API 6D and EN 12516-1 Standards.

Application

Ball valves of this design are used as shut-off elements. They can be applied for aggressive and non-aggressive liquids, non-poisonous and non-explosive gases except for gaseous fuels. Their application is above all in chemical and food-stuff industries and in processes, where the contamination of the working medium by products of corrosion is not admissible. The range of working temperature is from - 50°C up to + 230°C.

Basic standards for construction

Basic construction	API 6D, EN 12516-1
Face to face length	EN 558-1, EN 12982
Flange dimensions	EN 1092-1
Weld ends dimensions	EN 12627
Testing	EN 12266-1
Pressure-temperature characteristic	EN 12516-1
Connecting of actuator	EN ISO 5211

Control

Hand lever, gear box, electrical actuator, pneumatic actuator

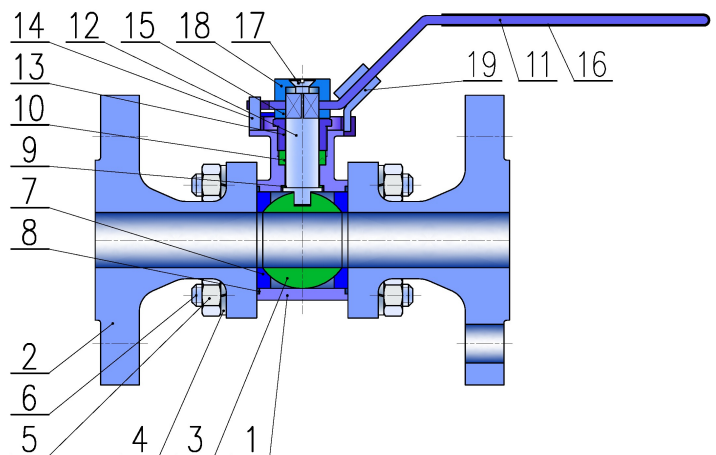
Connection to pipeline

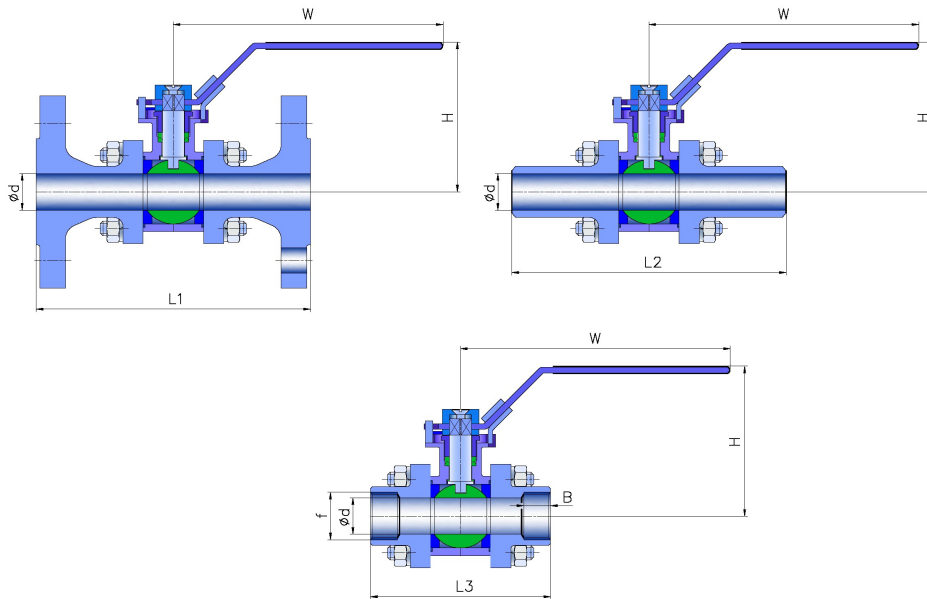
Flanged ends, weld ends, thread ends



Materials

Item	Description	Material		
1	Body	A216 WCB	A351 CF8	A351 CF8M
2	Cover	A216 WCB	A351 CF8	A351 CF8M
3	Ball	A351 CF8, 304, 316	A351 CF8	A351 CF8M
4	Spring washer	304		
5	Nut	304		
6	Bolt	304		
7	Seat	PTFE, PTFE + glass, PTFE + graphite, PTFE + stainless steel		
8	Packing	PTFE, PTFE + sklo, PTFE + graphite, PTFE + stainless steel		
9	Thrust washer	PTFE, PTFE + sklo, PTFE + graphite, PTFE + stainless steel		
10	Gland packing	PTFE, PTFE + sklo, PTFE + graphite, PTFE + stainless steel		
11	Hand lever	304		
12	Stem	316		
13	Gland nut	304		
14	Stopper	304		
15	Stem washer	304		
16	Plastic cover	Plastic		
17	Bolt	304		
18	Lever cover	304		
19	Lock device	304		





DN	PN 16, 25, 40, 63									EN ISO 5211	Weight (kg)
	d	L1	L2	L3	f (Rp)	B	H	W			
8	11.2	130	65	65	1/4	12	81	126	F 03	1.5	
10	12.6	130	70	60	3/8	12	81	140	F 03	2	
15	16	130	75	75	1/2	15	84	147	F 03	3	
20	20	150	90	85	3/4	17.5	87	147	F 03	4	
25	25	160	100	90	1	19.5	93	154	F 04	5	
32	32	180	110	110	1 1/4	21.5	99	154	F 04	8	
40	38.1	200	125	120	1 1/2	21.5	114	218	F 05	11	
50	50.8	230	150	140	2	22	122	218	F 05	15	
65	65	290	190	185	2 2/2	27.5	150	252	F 07	20	
80	80	310	220	205	3	32	161	252	F 07	29	
100	100	350	270	240	4	35	180	292	F 10	48	
125	131.7	400	330	-	-	-	210	292	F 10/F 12	67	
150	159.3	480	430	270	6	36	240	350	F 12/ F14	95	
200	207.5	600	460	-	-	-	295	350	F 14/F 16	170	
250	259	730	559	-	-	-	355	390	F 16/F 25	200	
300	308	850	635	-	-	-	410	390	F 16/F 25	237	

TYPE DESIGNATION

V-005 X Y Z M / F PN

V-005 – TYPE OF VALVE — BALL VALVE

X – CONNECTION TO PIPELINE

F...Flanged

B...Welded

I...Threaded

Y – ISO TOP FLANGE

I...Without

M...With flange acc. to ISO 5211

Z – LOCK DEVICE OF HAND LEVER

I...Without

L...With lock device

M – MATERIAL OF BODY

CS...Carbon steel

AS...Alloyed steel

SS...Stainless steel

F – SPECIAL DESIGN

PN – NOMINAL PRESSURE